

Dual Band Digital Fiber Optic Repeater

Model: SZALO-D+W-AF-WB-MU-43-220AC-VN-D (Digital Master Unit)

SZALO-D+W-AF-WB-RU-43-220AC-VN-D (Digital Remote Unit)

Main Features

- Digital filter support bandwidth adjustable function
- Low noise and high reliability
- Each master unit can support 4 remote units-Typical
- RJ45 Ethernet cable for local connection & remote connection via wireless Mode(optional)
- Support to monitor donor signal parameters for easy optimization and troubleshooting

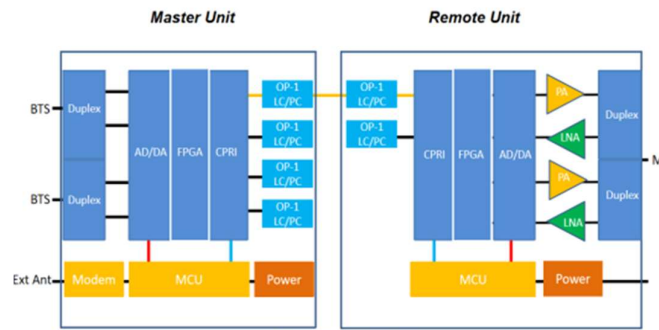


Remote Unit



Master Unit

Block Diagram



Electrical Specifications

Frequency Range (MHz)	Uplink	1710-1785	1920-1980
	Dowlink	1805-1880	2110-2170
Bandwidth (Mhz)		75	60
Noise Figure	Uplink	≤ 6 Db	
Output Power	Uplink	$\geq -10 \pm 2$ dBm	$\geq -10 \pm 2$ dBm
	Dowlink	$\geq 43 \pm 2$ dBm	$\geq 43 \pm 2$ dBm
Spurious Emission	9kHz~1GHz	≤ -36 dBm	≤ -36 dBm
	1GHz~12.75GHz	≤ -30 dBm	≤ -30 dBm
ACPR		≤ -40 dBc/30KHz@ ± 20 MHz	≤ -40 dBc/30KHz@ ± 20 MHz
		≤ -45 dBc/30KHz@ ± 40 MHz	≤ -45 dBc/30KHz@ ± 40 MHz
No. of Remote Unit		1~4 Typical	
Max Gain		UL $\geq 50 \pm 2$ dB; DL $\geq 50 \pm 2$ dB;	
Manual Gain Control		31 dB in step of 1 dB	
Automatic Gain Control		≥ 20 dB	
Gain Flatness		≤ 6 dB (peak-to-peak)	
Max. Input Power Without Damage		UL: 0 dBm; DL: 10 dBm	
No. of Remote Unit		1~4 Typical	
EVM		GSM/UMTS $\leq 12.5\%$; LTE $\leq 8\%$; NR $\leq 3.5\%$	
VSWR		≤ 1.5	
System Delay		≤ 9 μ s	
Impedance		50 Ω	
Optical Output Power		≥ 0 dBm	
Optical Wavelength		1330 nm/1270 nm (DDM)	
Fiber		Single Mode	

Mechanical Specifications

RF Connector	MU: 2 x N-Female RU: 1 x N-Female	
Fiber Connector	MU: 4 x LC/UPC RU: 2 x FC/APC	
Power Supply	MU/RU:AC110/220V	
Power Consumption	MU: \leq 45 W RU: \leq 300 W	
Dimensions	MU:427*235*44mm RU:410*490*187mm;	
Weight	MU: \leq 7 Kg RU: \leq 30 Kg	
IP Rating	MU: IP30 RU: IP65	
Operating Temperature	MU: -20~50 °C RU: -40~55 °C	
Control & Monitoring	Local	Via RJ45
	Remote	Via Wireless Modem (optional)